

Intellex FBT-7400 Fob Tag

Long range, highly compact RFID tag with flexible attachment options for asset tracking.



The Intellex FBT-7400 fob tag provides long range in a highly compact form factor.

The Intellex FBT-7400 fob tag is a long range, highly compact tag designed for loop attachment to key rings and other items with similar style mounting requirements. Applications include tracking of tools and equipment for real-time inventory visibility and automated check-out/check-in procedures, and the tracking of keys used to gain access to secured assets such as vehicles, buildings, and equipment.

The FBT-7400 combines robust performance, advanced security features and on-tag user-rewritable memory with a compact form factor, made possible with the tag's innovative antenna design. At approximately one half cubic inch in size, the FBT-7400 offers great read/write range of up to 25 meters (80+ feet).

The fob tag's unique, patent pending antenna design prevents detuning when in close proximity to liquids and metals, such as next to the body or on a keychain with other keys.

The tags can be attached to tracked assets using a ring mount or tie wrap.

FEATURES

Robust RF Communications

- Low turn-on threshold
- High receive signal sensitivity/backscatter efficiency

Efficient Power Management

- Multi-stage wake up

60 Kb User-rewritable Memory

Activation of Selected Group of Tags

Built-in Application-specific Security

Single Chip RFID Tag

BENEFITS

- Up to 25 meter (80+ ft) read/write range
- Exceptional read/write reliability in real world environments

- Long battery life (up to 5 years), based on duty cycle

- Stores user information locally on tags:
 - E-manifest, maintenance records, custody chain, history, etc.

- Enables faster identification and sorting of tagged items

- Lockable read/write user memory protects data integrity
- 1 Kb block level locking with separate read/write permalock password protection

- Highly compact form factor tags

SPECIFICATIONS¹

Device Type	Class 3 RFID (battery-assisted passive) single chip transponder
Protocol	Class 3
Operating Frequency	902-928 MHz (North America); 865-868 MHz (Europe/India)
Modulation	Amplitude modulated forward link (reader to tag) Frequency modulated reverse link (tag to reader)
Range	25 meters (80+ ft)
Battery Life	Up to 5 years depending on use; data is persistent and also readable at close range upon battery expiration
Data Rates	8 Kb/sec forward link 8 or 32 Kb/sec reverse link
Data Retention	10 years at 85°C
Memory	64 Kb total, 60 Kb rewritable non-volatile user memory
Environmental	
Enclosure Protection	IP55
Temperature (Operating and Storage)	-4° to +140°F (-20° to +60°C)
Shock	IEC 60068-2-32, test Ed
Vibration	IEC 60068-2-6, test Fc
General Dimensions²	1.2" x 1.2" x 0.6" (30 mm x 30 mm x 14 mm) (L, W, D)
Mounting Options	Ring mount or tie wrap
Other Features	Password-controlled read, write, 1 Kb block level locking, and permalock

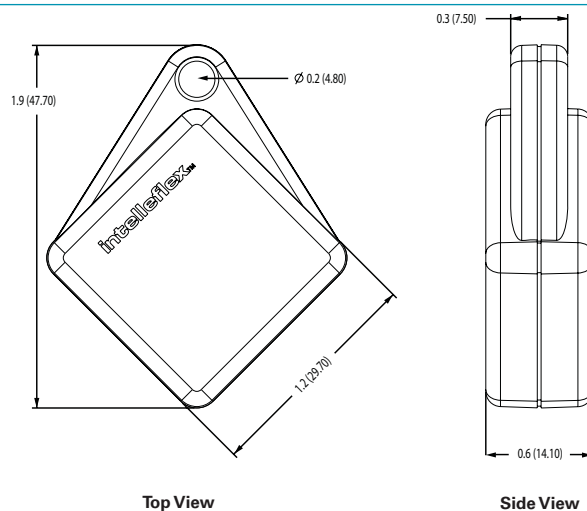
1. Intellex reserves the right to change product information and specifications without notice.

2. For specific dimensions, see drawing below.

ORDERING INFORMATION

Part Number	Description
FBT-7400	Fob tag; North America 902-928 MHz frequency range
FBT-7400-EU	Fob tag; Europe and India 865-868 MHz frequency range

DIMENSIONS



Note: All dimensions are in inches (mm)