

# Intellex BAT-7300 Badge Tag

*Extended range and reliability for personnel tracking, zone locationing, and asset security applications.*



The Intellex BAT-7300 tags provide exceptionally high performance in a thin profile.

The Intellex BAT-7300 tags are rugged, thin profile tags designed for personnel monitoring and other asset tracking applications. The tags provide exceptionally high read/write accuracy and long range operation, ensuring accurate reads and writes at up to 50 meters. In addition, the BAT-7300's on-tag memory enables companies to store personnel information, authentication keys, history, and other data directly on the tag. The tag's innovative security features also provide secure on-tag data access.

In applications such as vehicle yard management and IT asset tracking, the BAT-7300 provides visibility to both the asset and the person(s) responsible for its movement and handling, affording new levels of control, security and accountability.

The housing incorporates a clip-on slot for convenient tagging to clothing. The BAT-7300 tags may also be worn on a lanyard.

## FEATURES

### Robust RF Communications

- Low turn-on threshold
- High receive signal sensitivity/backscatter efficiency

### Efficient Power Management

- Multi-stage wake up

### 60 Kb User-rewritable Memory

### Built-in Application-specific Security

### Single Chip RFID Tag

## BENEFITS

- Up to 50 meters (150+ ft) in open space
- Exceptional read/write reliability in real world environments

- Long battery life (up to 5 years), based on duty cycle

- Store user or asset information locally on tags:
  - Personnel data, history, access, location, etc.

- Lockable read/write user memory protects data integrity
- 1 Kb block level locking with separate read/write permalock password protection

- Rugged, thin profile form factor tags

## SPECIFICATIONS

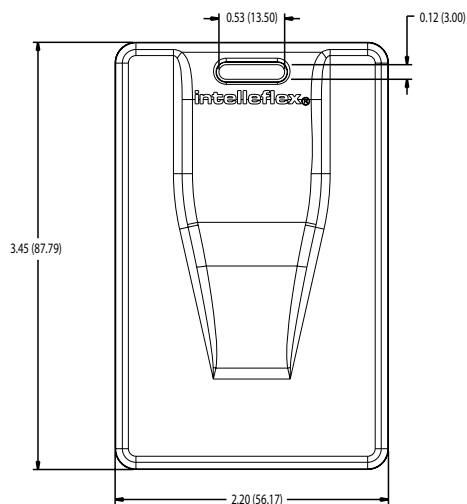
<b>Device Type</b>	Class 3 RFID (battery-assisted passive) single chip transponder								
<b>Protocol</b>	Class 3								
<b>Operating Frequency</b>	902-928 MHz (North America); 865-868 MHz (Europe/India)								
<b>Modulation</b>	Amplitude modulated forward link (reader to tag) Frequency modulated reverse link (tag to reader)								
<b>Range</b>	Up to 50 meters (150+ ft) in open space; 35 meters (114+ ft) in personnel applications								
<b>Battery Life</b>	Up to 5 years depending on use; data is persistent and also readable at close range upon battery expiration								
<b>Data Rates</b>	8 Kb/sec forward link 8 or 32 Kb/sec reverse link								
<b>Data Retention</b>	10 years at 85°C								
<b>Memory</b>	64 Kb total, 60 Kb rewritable non-volatile user memory								
<b>Environmental</b>	<table border="0"> <tr> <td>Enclosure Protection</td> <td>IP55</td> </tr> <tr> <td>Temperature (Operating and Storage)</td> <td>-4° to +140°F (-20° to +60°C)</td> </tr> <tr> <td>Shock</td> <td>IEC 60068-2-32, test Ed</td> </tr> <tr> <td>Vibration</td> <td>IEC 60068-2-6, test Fc</td> </tr> </table>	Enclosure Protection	IP55	Temperature (Operating and Storage)	-4° to +140°F (-20° to +60°C)	Shock	IEC 60068-2-32, test Ed	Vibration	IEC 60068-2-6, test Fc
Enclosure Protection	IP55								
Temperature (Operating and Storage)	-4° to +140°F (-20° to +60°C)								
Shock	IEC 60068-2-32, test Ed								
Vibration	IEC 60068-2-6, test Fc								
<b>General Dimensions</b>	3.45" x 2.2" x 0.12" (87,6 mm x 56 mm x 3 mm) (L x W x D)								
<b>Mounting Options</b>	Clip-on slot								
<b>Other Features</b>	Password-controlled read, write, 1 Kb block level locking, and permalock								

Intellex reserves the right to change product information and specifications without notice.

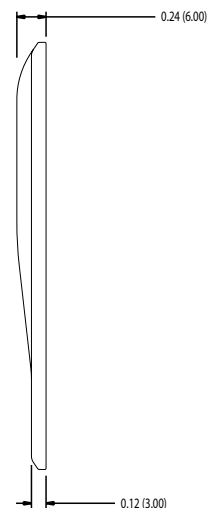
## ORDERING INFORMATION

Part Number	Description
BAT-7300	Standard badge tag; North American 902-928 MHz frequency range
BAT-7300-EU	Standard badge tag; Europe and India 865-868 MHz frequency range

## DIMENSIONS



Top View



Side View

Note: All dimensions are in inches (mm)

© 2008 Intellex Corporation. All rights reserved. Intellex and The Intelligent RFID Platform Company are trademarks of Intellex Corporation. The Intellex logo is a registered trademark of Intellex Corporation.

05-00039-001-C (4/08)



Intellex Corporation

2465 Augustine Drive, Santa Clara, CA 95054  
Phone 877-MY-IFLEX (877.694.3539)  
International +1 408.200.6500  
sales@intellex.com  
www.intellex.com