



Intellex BAT-8300

Extended Capability Badge Tag

- Up to 100 meters (300+ ft) in open space
- Exceptional read/write reliability in real world environments around people and clothing
- Long battery life (up to 5 years), based on duty cycle
- Store user and asset information locally on tags
- Lockable read/write user memory protects data integrity
- Rugged, thin profile form factor tags

The Intellex BAT-8300 tags are rugged, thin profile tags designed for personnel monitoring and other asset tracking applications. Built with Intellex XC3 Technology™, the tags provide exceptionally high read/write accuracy and long range operation, ensuring accurate reads and writes at up to 100 meters. In addition, the BAT-8300's on-tag memory enables companies to store personnel information, authentication keys, history, and other data directly on the tag. The tag's innovative security features also provide secure on-tag data access.

Based on ISO and EPCglobal standards, the Intellex BAT-8300 tag delivers unparalleled performance for a variety of personnel and asset management applications. You can easily track and monitor the location, ingress and egress of employees, visitors and guests. In applications such as vehicle yard management and IT asset tracking, the BAT-8300 provides visibility to both the asset and the person(s) responsible for its movement and handling, affording new levels of control, security and accountability.

The housing incorporates a clip-on slot for convenient tagging to clothing. The BAT-8300 tags may also be worn on a lanyard and can be easily customized using a standard credit card-sized blank with photo and text.

Product Features

Device Type	Class 3 RFID (battery-assisted passive) single chip transponder
RF Interface	ISO/IEC 18000-6:2010 (Manchester BAP), EPCglobal C1G2
Operating Frequency	902-928 MHz (North America); 865.6-867.6 MHz (Europe/India)
Modulation	Amplitude modulated forward link (reader to tag) Frequency modulated reverse link (tag to reader)
Range	Up to 100 meters (300+ ft); 35 meters (114+ ft) in personnel applications
Battery Life	Up to 5 years depending on use; data is persistent and also readable at close range upon battery expiration

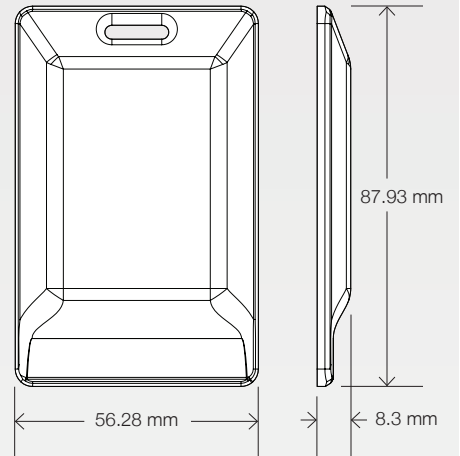
Data Rates	8-128 Kb/sec forward link Up to 640 Kb/sec reverse link	
Data Retention	10 years at 85°C	
Memory	64 Kb total, 60 Kb rewritable non-volatile user memory	
Environmental	Enclosure Protection	IP55
	Temperature (Operating and Storage)	-4° to +140°F (-20° to +60°C)
	Shock	IEC 60068-2-32, test Ed
	Vibration	IEC 60068-2-6, test Fc
General Dimensions	3.46" x 2.21" x 0.327" (87.93 mm x 56.28 mm x 8.3 mm) (L x W x D), Weight: 23g	
Mounting Options	Clip-on slot	
Other Features	Password-controlled read, write, 1 Kb block level locking, and permalock	
Warranty	The BAT-8300 is warranted against defects in workmanship and materials for a period of two (2) years. See Terms of Sale for warranty details.	

Ordering Information

Part Number	Description
BAT-8300	Standard badge tag; North America 902-928 MHz frequency range
BAT-8300-EU	Standard badge tag; Europe and India 865-868 MHz frequency range

Specifications are subject to change without notice.

Design



For More Information

To learn more please visit our website or contact us directly. We look forward to hearing from you.

www.intelleflex.com

+1 877 694 3539 Toll Free

+1 408 200 6500 International/Direct

info@intelleflex.com